

PROYECTO DE TRABAJO - 102

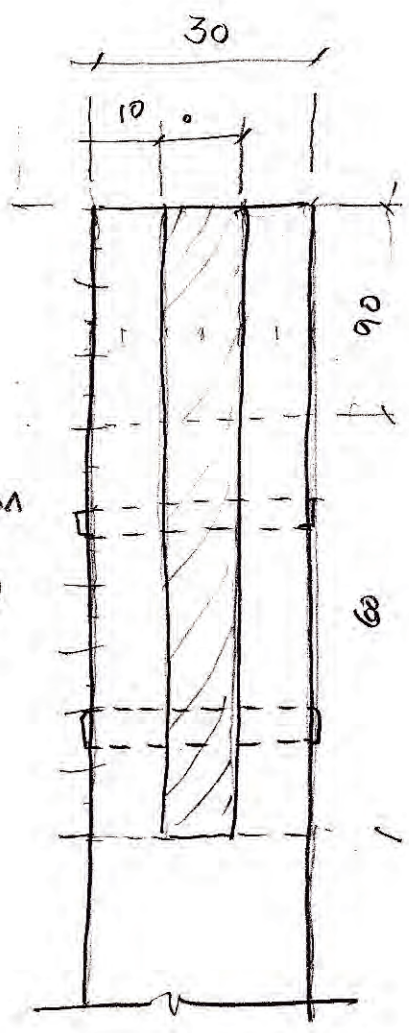
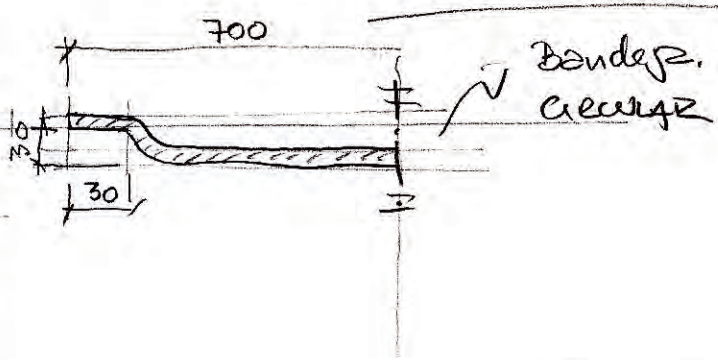
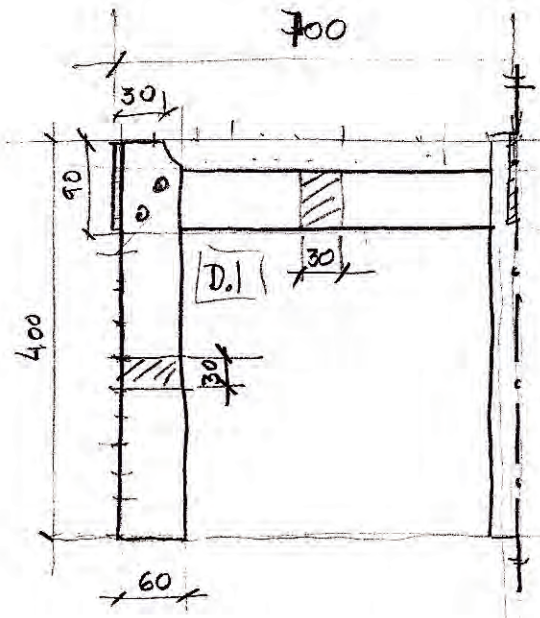
MESA AUXILIAR CENTRAL FB-2016

(Diseño de F. J. Castrillo - 2016)



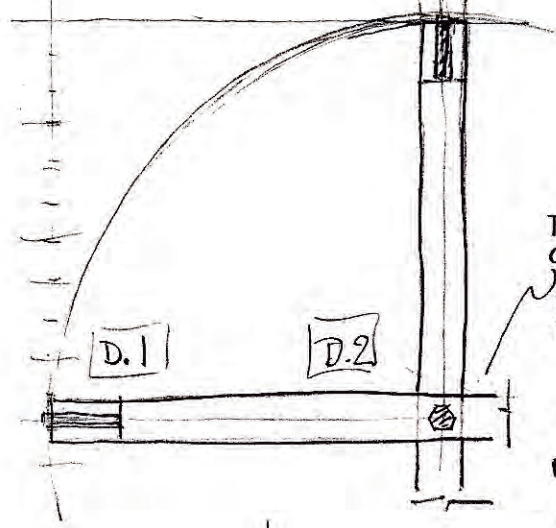
ALUMNO:

MESA AUXILIAR
CIRCULAR - FB-2016



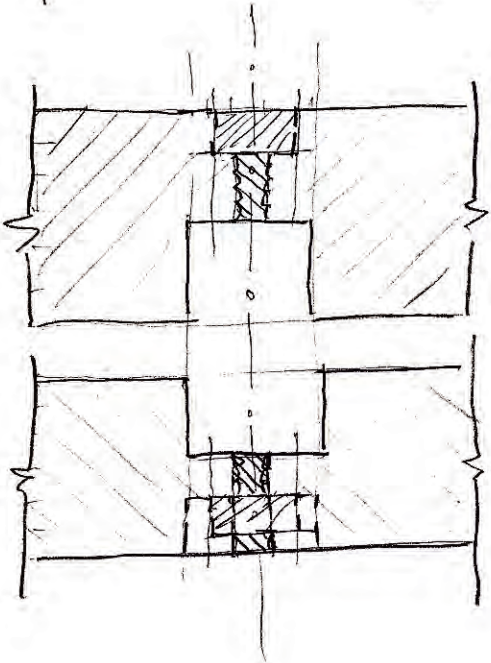
D.1

UNION A
TAMPA
ENCLAVADA
- BASTON
DE LATON
φ 8



TORNILLO
CABEZA
EXAGONAL
ROSCADO.

UNION A
MEDIA
MADERA



D.2
MEDIA MADERA
TORNILLO ROSCA
CABEZA
EXAGONAL

MATERIALES:
- NOGAL
- BASTON de LATON

HOJA DE CONTROL DE MATERIALES: DESPIECE - VOLUMEN - SUPERFICIE - COSTE

PROYECTO DE TRABAJO:

ALUMNO:

| Nº | DENOMINACIÓN | UDS. | Largo | Ancho | Grueso | Espigas | Material | Volumen mm ³ | Superficie mm ² | Total Neto | | Desperdicio | | TOTAL BRUTO | | PRECIO IVA incl m ³ /m ² | COSTE |
|----------------|--------------|------|-------|-------|--------|---------|----------|----------------------------|-------------------------------|----------------|----------------|----------------|----------------|----------------|----------------|--|-------|
| | | | | | | | | | | m ³ | m ² | m ³ | m ² | m ³ | m ² | | |
| | | | | | | | | | | | | 30% | 15% | | | | |
| 1 | | | | | | | | | | | | | | | | | |
| 2 | | | | | | | | | | | | | | | | | |
| 3 | | | | | | | | | | | | | | | | | |
| 4 | | | | | | | | | | | | | | | | | |
| 5 | | | | | | | | | | | | | | | | | |
| 6 | | | | | | | | | | | | | | | | | |
| 7 | | | | | | | | | | | | | | | | | |
| 8 | | | | | | | | | | | | | | | | | |
| 9 | | | | | | | | | | | | | | | | | |
| 10 | | | | | | | | | | | | | | | | | |
| 11 | | | | | | | | | | | | | | | | | |
| 12 | | | | | | | | | | | | | | | | | |
| 13 | | | | | | | | | | | | | | | | | |
| 14 | | | | | | | | | | | | | | | | | |
| 15 | | | | | | | | | | | | | | | | | |
| 16 | | | | | | | | | | | | | | | | | |
| 17 | | | | | | | | | | | | | | | | | |
| 18 | | | | | | | | | | | | | | | | | |
| 19 | | | | | | | | | | | | | | | | | |
| 20 | | | | | | | | | | | | | | | | | |
| 21 | | | | | | | | | | | | | | | | | |
| 22 | | | | | | | | | | | | | | | | | |
| 23 | | | | | | | | | | | | | | | | | |
| 24 | | | | | | | | | | | | | | | | | |
| 25 | | | | | | | | | | | | | | | | | |
| TOTALES | | | | | | | | | | | | | | | | | |

